



SYMCOD

Symcod LS6300 laser scanner



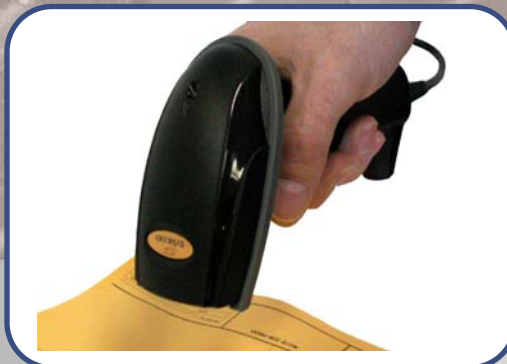
The LS6300 is an affordable scanner solution for operation management. Always looking for reliable and economical solution, this model has been specially selected by Symcod for its excellent value for money. Recommended for light industrial operation, it is design without mechanical moving parts which is an asset.

Features

- Built-in 1D laser engine
- No moving parts
- Multi-selection for different use
- High resolution up to 4 mils
- Multi-interface

Examples of uses

- Time & attendance
- Inventory management
- Document tracking and more

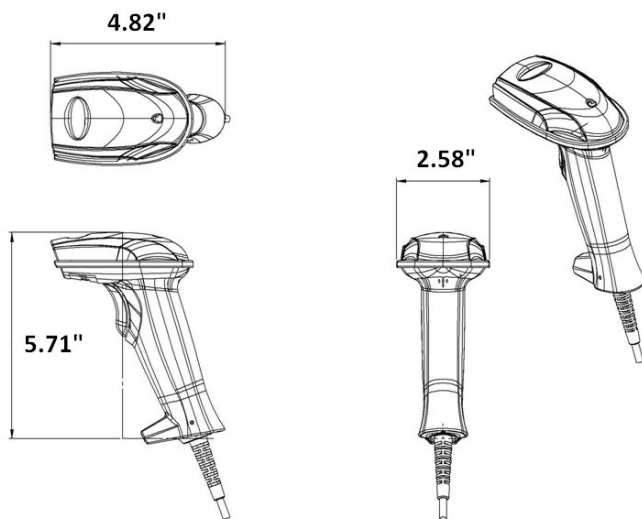




SYMCOD

Symcod LS6300 laser scanner

LS6300 scanner dimensions



General characteristics

Performance

Light source: 650nm
 Scan speed (maximum): 100 scans/sec
 Resolution (maximum): 0.1mm (4mils) – Code 39
 Print contrast (minimum) : 45% or more
 Scan angle: 38°
 Indicators: green/red LED & beeper
 Interfaces: USB/RS232/keyboard wedge/Wand emulation
 Symbologies: UPC/EAN/JAN, Code 39, Codabar, ITF 2/5, Code 128, Code 11, Code 93, MSI

Electrical

Input voltage: 5VDC \pm 0.5V
 Current – operating: 65mA max

Decode zone*

4 mils = 40 ~ 70 mm
 5 mils = 45 ~ 120 mm
 13 mils = 30 ~ 250 mm
 20 mils = 40 ~ 320 mm
 40 mils = 65 ~ 500 mm

**Depends on the code length and scan angle, varies according to printing resolution, contrast and ambient light.*

Physical characteristics

Dimensions: 122.5 mm x 65.6 mm x 145.1 mm
 (4.82" x 2.58" x 5.71")

Weight: 100g \pm 5g (no cable)

Accessories

Wallmount stainless steel stand for scanner or CCD, product number 508-01002.

Environment

Operation temperature: 0°C to 50°C (32°F to 122°F)
 Storage temperature: -20°C to 60°C (-4°F to 140°F)
 Operation humidity: 10% to 85% relative humidity, non-condensing
 Storage humidity: 5% to 95% relative humidity, non-condensing
 Ambient light: sunlight up to 36000 Lux
 Shock: 1.5m drop



1171 Notre-Dame Ouest, Victoriaville,
 (Québec) CANADA G6P 7L1

☎ 1 800 203-9421 or 819 751-0095 Canada-USA

☎ 0-800-907-476 France

☎ 819 751-1292

symcod@symcod.com www.symcod.com