

TermiCom W185



Industrial computer and
IT equipment manufacturer

All-in-one computer

Save time and money with this efficient and high-performance industrial computer and panel PC! Scratch-resistant, the TermiCom W185 can be used with gloves and features better health and safety practices. Besides connecting to multiple devices, installation is quick and easy.

Known for its reliability, stability and flexibility, the TermiCom W185 is the all-in-one device you need!



Key advantages



Reduces
downtime



Direct connection
to all devices



Durable materials for
a long life cycle

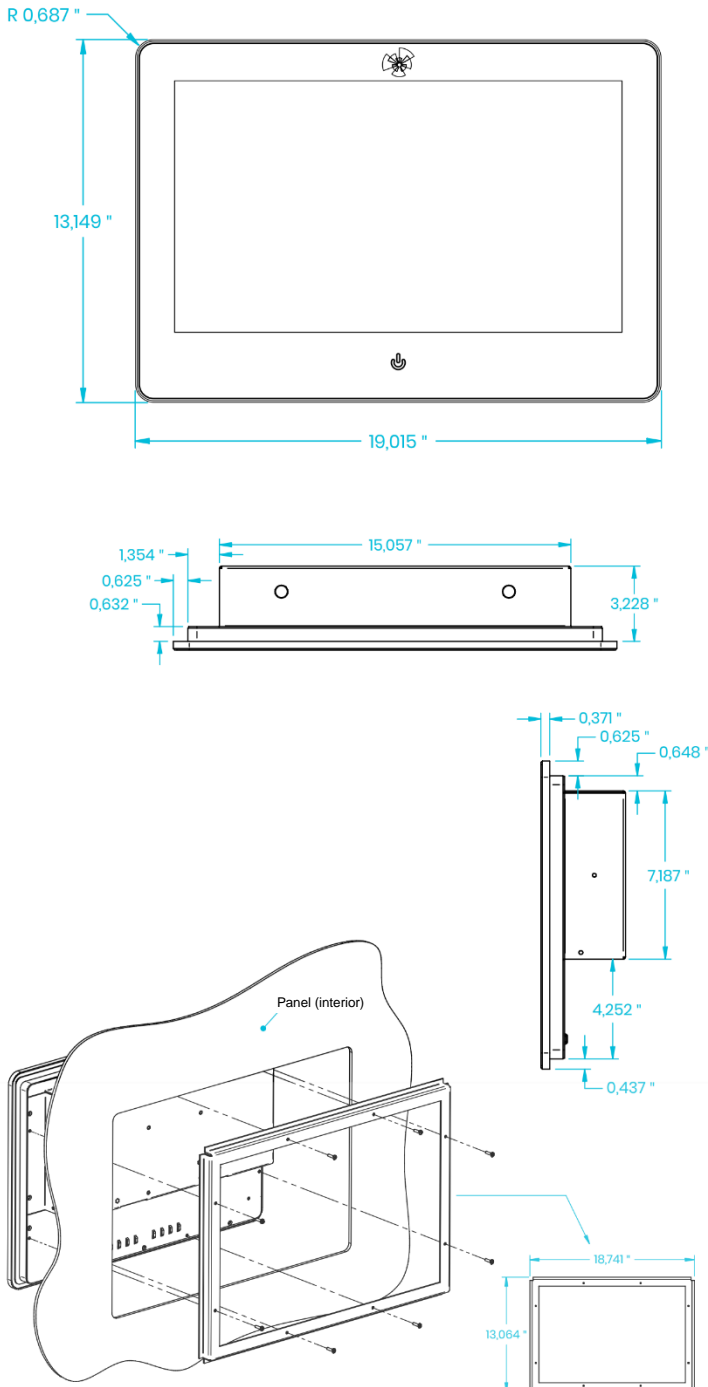


Energy efficient
and fanless

TermiCom W185



Dimensions



Technical specifications

Weight	Approximately 5.53 kg (12.2 lbs)
Power supply	AC with external 120/240 VAC 60/50 Hz power supply / Power Terminal 6-34 VDC
Casing	Aluminum
Microprocessor	Intel Atom Braswell 2.24 GHz QuadCore
Memory (RAM)	4 GB Standard (DDR3 type) up to 8 GB
Memory	64/256 GB flash drive or Minimum 250 GB hard drive
Screen	High definition 18.5" TFT color display / resolution 1920 x 1080 (16:9) / capacitive touchscreen
Inputs / Outputs	3 serial ports / 4 USB ports 3.0 / 1 HDMI port / 1 SVGA port / 2 Ethernet 1000BaseT port / 2 Audio ports (Mic-in/Line-out)
Operating system	Windows or Linux
Recommendations for installation	Ethernet: Flexible CAT5 UTP (Unshielded twisted pair) cable / 24 AWG / 4 pairs / Stranded OR Fixed CAT5 UTP (Unshielded twisted pair) cable / 24 AWG / 4 pairs / Solid
Other	Blue LED (powered on) / Blinking LED (disk activity)
Certification	CSA
Limited warranty	2 years on parts and labour at our workshop (extended warranty available)

Accessories and Options

WiFi 802.11 ac/a/b/g/n & Bluetooth / Sealed SKT keyboard / External reader: CCD, laser, pencil, slot reader, proximity reader, biometric reader / Printer / Parallel port / Scale

Environment

Operating temperature: 5°C to 40°C (41°F to 104°F) **Storage temperature:** -20°C to 60°C (-4°F to 140°F) **Relative humidity:** 20% to 80% without condensation